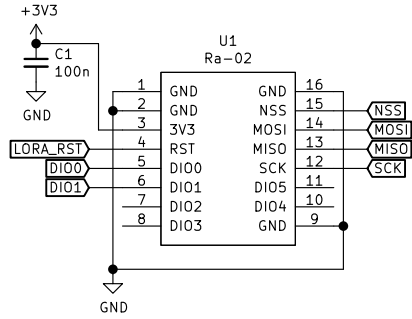
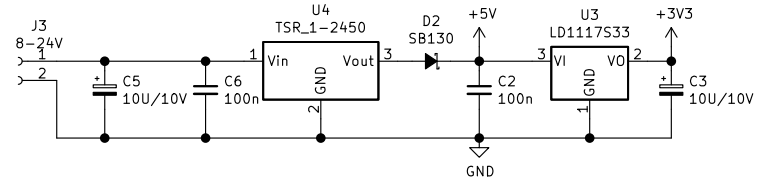


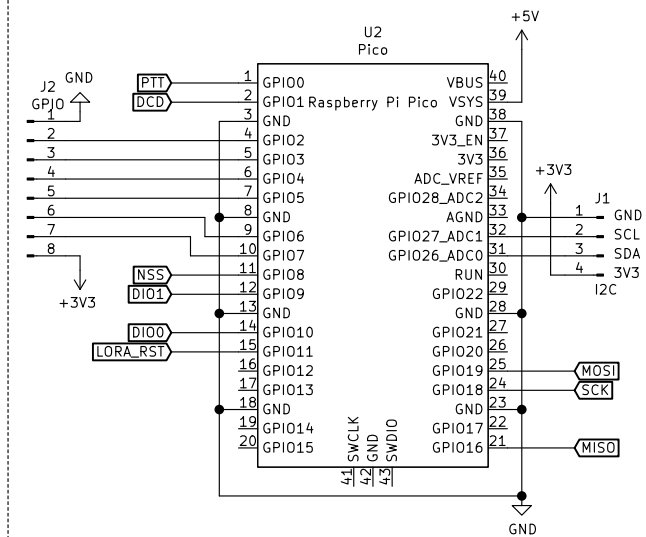
433MHz LORA transceiver



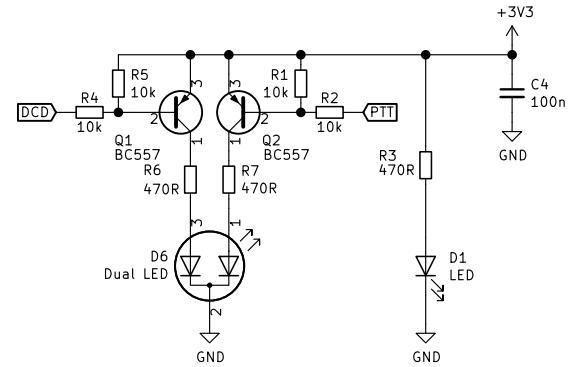
Power supply



Raspberry Pi Pic



LEDs



- H1  
M3
- H2  
M3
- H3  
M3
- H4  
M3

**MEES**

<https://meezenest.nl/mees>

**M. Konstapel**

Sheet: /

File: lora\_kiss\_tnc\_pico\_rev2.sch

**Title: LORA KISS TNC Pico**

Size: A4 | Date: 2022-04-25

KiCad E.D.A. kicad 5.1.8-5.1.8



**Rev: 2**

Id: 1/1