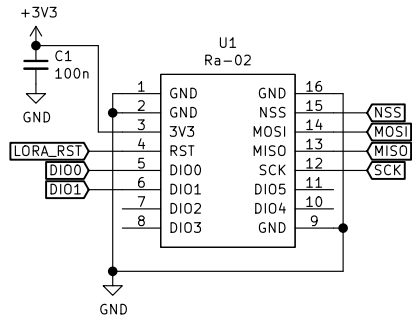
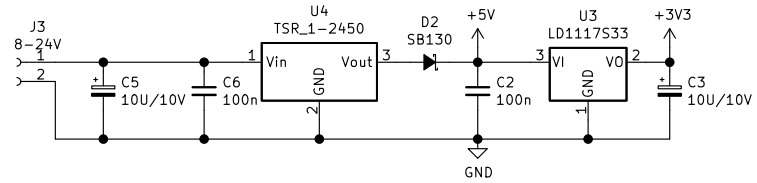


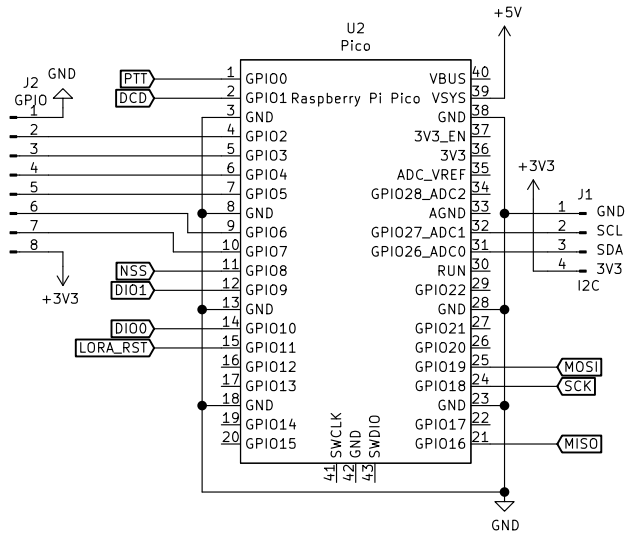
433MHz LORA transceiver



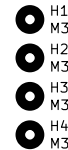
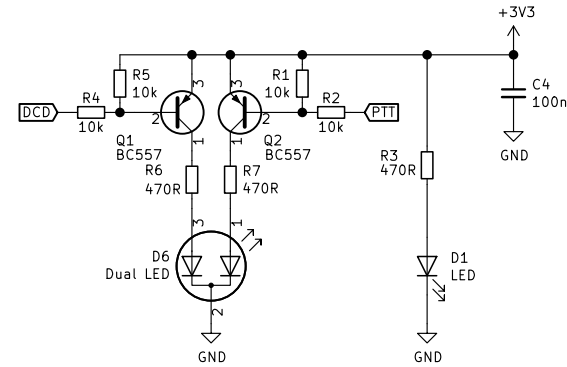
Power supply



Raspberry Pi Pico



LEDs



H1  
M3  
H2  
M3  
H3  
M3  
H4  
M3

**MEES**

<https://meezenest.nl/mees>

**M. Konstapel**

Sheet: /

File: lora\_kiss\_tnc\_pico\_rev2.sch

**Title: LORA KISS TNC Pico**

Size: A4

Date: 2022-04-25

**Rev: 2**

KiCad E.D.A. kicad 5.1.8-5.1.8

Id: 1/1

