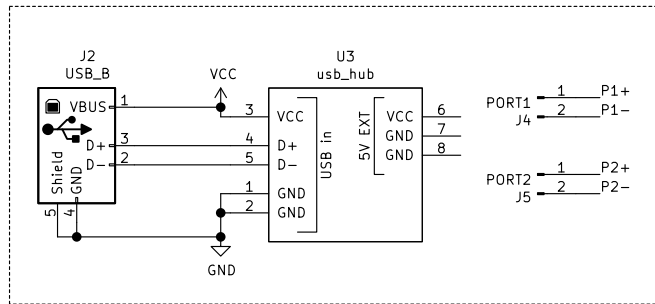
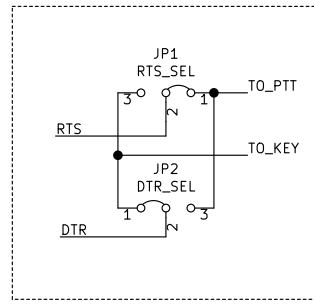


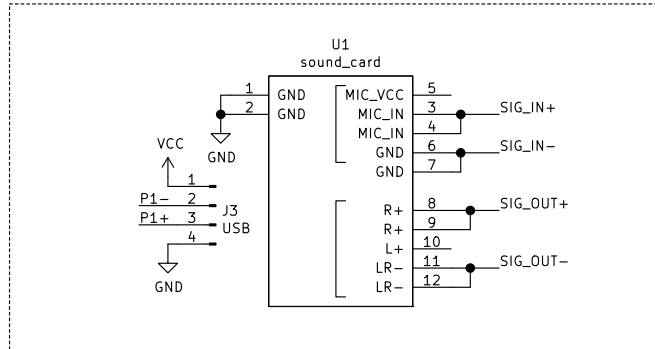
Digitus DA-70216 USB 2.0-hub
Distributor: conrad.nl



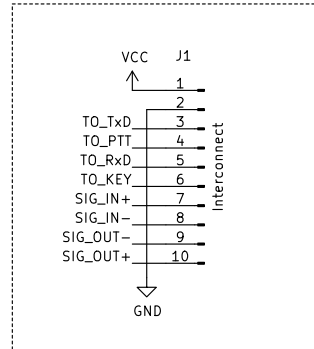
DTR/RTS to PTT/KEY selector



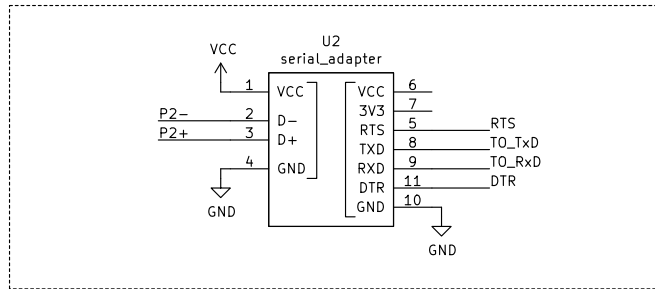
Manhattan Hi-Speed USB 3-D Audio Adapter Model 150859
Distributor: conrad.nl



Board to board interconnect



CH340 TTL USB to Serial Converter
Distributor: tinytronics.nl



-  H1 MountingHole
-  H2 MountingHole
-  H3 MountingHole
-  H4 MountingHole

<https://meezenest.nl/mees>

M.T. Konstapel

Mees Electronics

Sheet: /

File: pc_interface_mk2.sch

Title: USB board for transceiver interface with galvanic isolation

Size: A4

Date: 2023-03-09

Rev: A

KiCad E.D.A. kicad 5.1.8-5.1.8

Id: 1/1



MEES