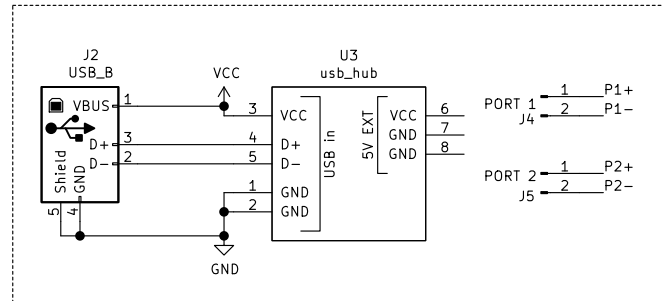
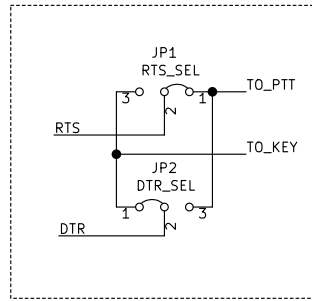


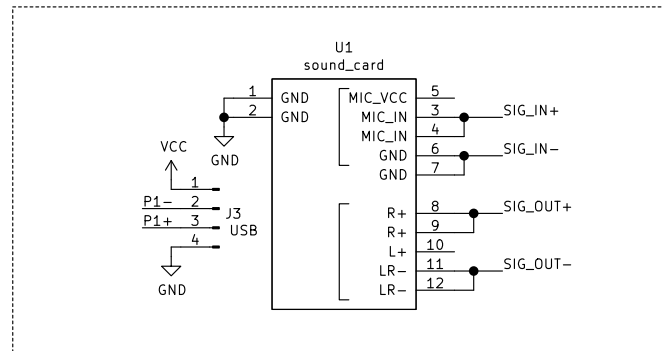
Digitus DA-70216 USB 2.0-hub  
Distributor: conrad.nl



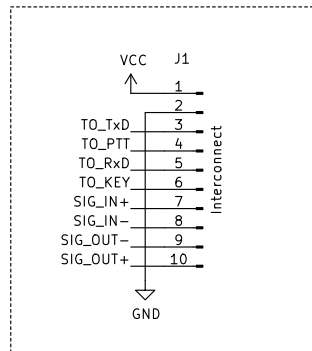
DTR/RTS to PTT/KEY selector



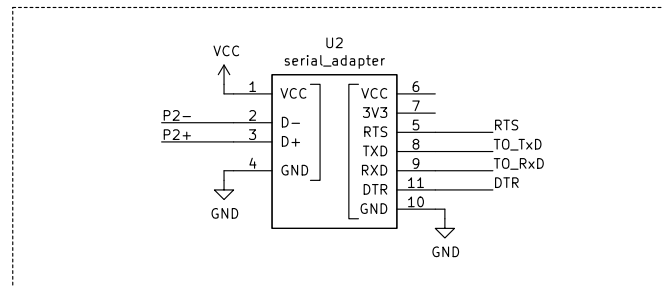
Manhattan Hi-Speed USB 3-D Audio Adapter Model 150859  
Distributor: conrad.nl



Board to board interconnect



CH340 TTL USB to Serial Converter  
Distributor: tinytronics.nl



- H1 MountingHole
- H2 MountingHole
- H3 MountingHole
- H4 MountingHole

<https://meezenest.nl/mees>  
M.T. Konstapel  
**Mees Electronics**



**MEES**

Sheet: /  
File: pc\_interface\_mk2.sch

**Title: USB board for transceiver interface with galvanic isolation**

Size: A4 Date: 2023-03-09

Rev: A

KiCad E.D.A. kicad 5.1.8-5.1.8

Id: 1/1